



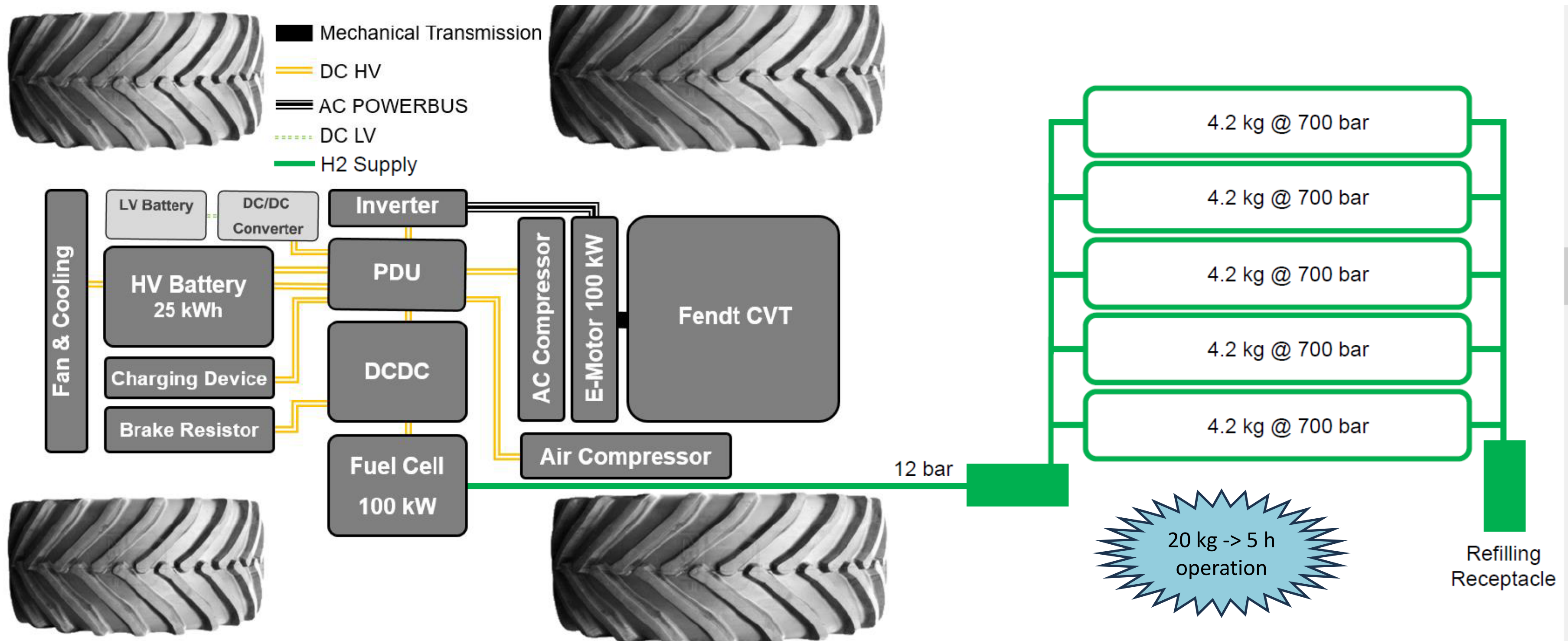
Success story



Technology carrier:
hydrogen tractor

/ AGCO-FENDT

“HELIOS” hydrogen tractor as a technology carrier



/ AGCO-FENDT

“HELIOS” hydrogen tractor as a technology carrier



The challenge; keeping the battery as small, light and economical as possible. This requires sophisticated power management and a extremely fast-responding brake chopper. This could be realized with the integrated PLC functions of the ARADEx VECTOPOWER components, especially in the DCDC converter.

Wolfgang Breu Project Lead Electrification:

The HELIOS hydrogen tractor served and continues to serve us as a technology carrier for investigating the possible future use of hydrogen as an energy source for agricultural machinery.

Focus: Integration of the fuel cell and sophisticated power management in all operating conditions.

Here we benefited from the programmability of the ARADEx inverters and DC/DC and the support of the project engineers.

/ ARADEX's contribution to this project

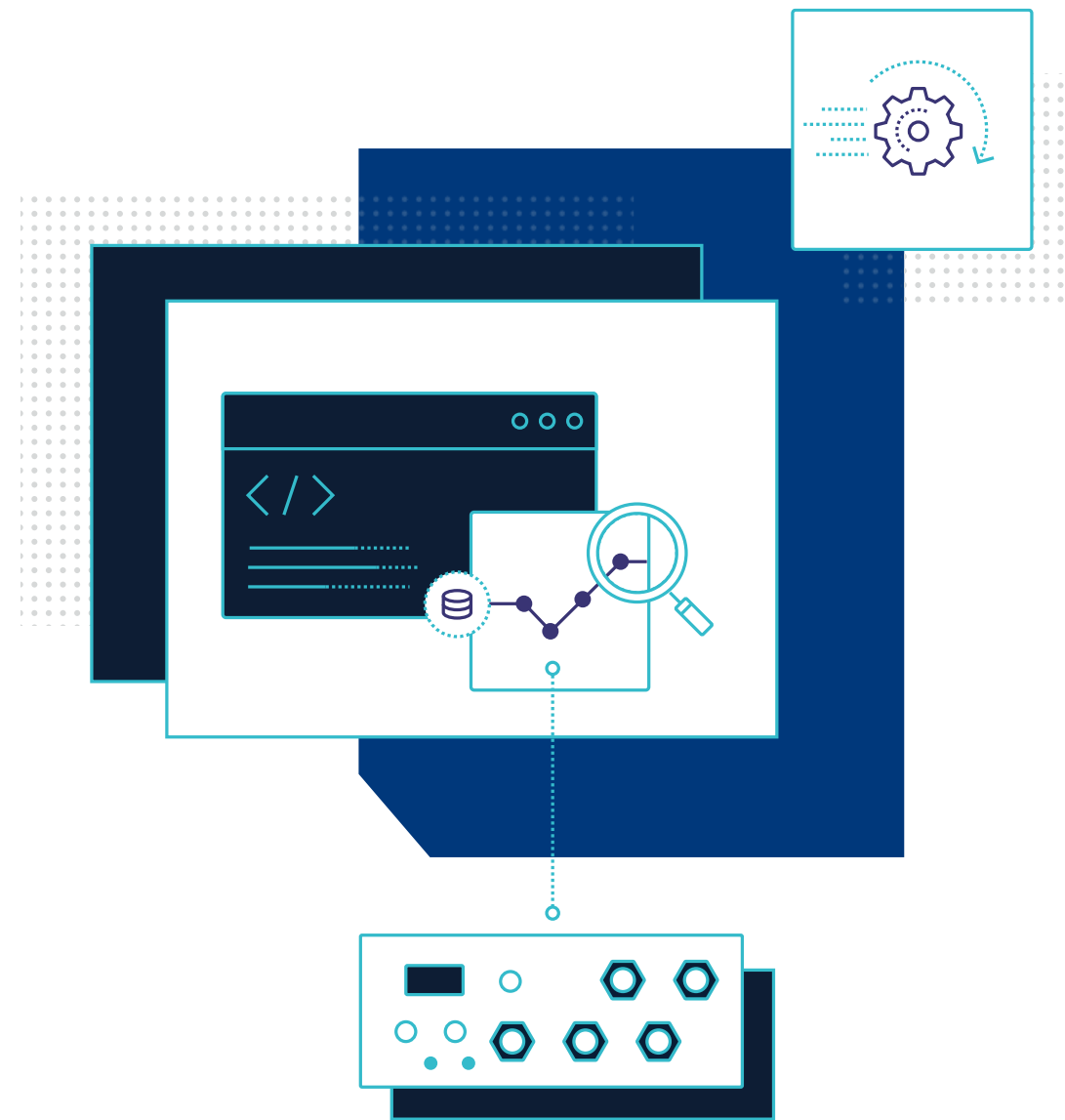
Hardware, software, tools

HARDWARE



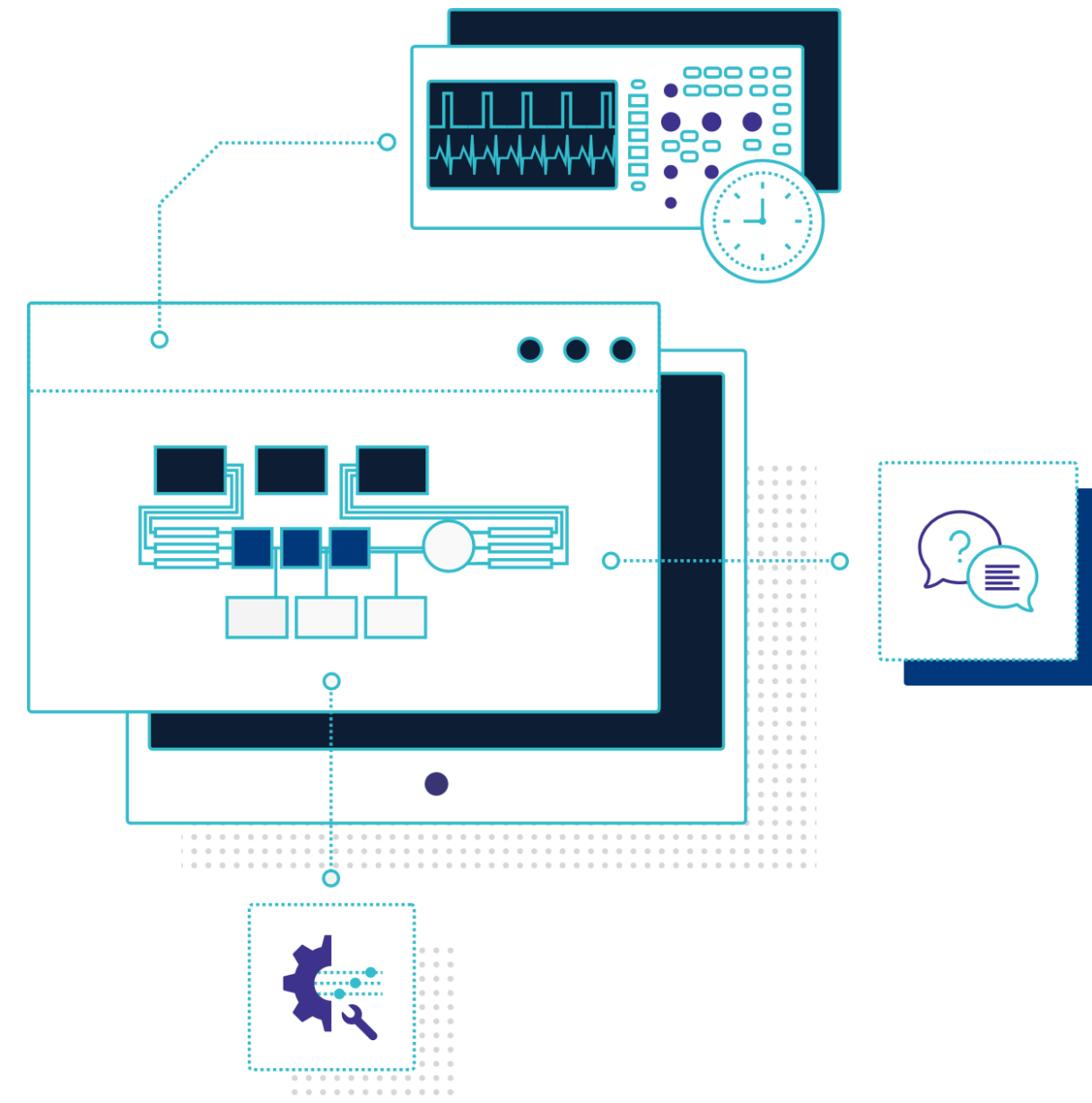
- DCDC converter
- Inverter
- Accessories

INTEGRATED SPS FUNCTION



- Sophisticated real-time PLC
- For function and diagnostics
- Your know-how, your USPs

TOOLS






- Programming
- Parameterization
- Oscilloscope function



Challenge us with your application!

Optimum user-friendliness and performance for the best e-mobility



-  Ziegelwaldstr. 3, D-73547 Lorch, Germany
-  Sales@aradex.com | Vertrieb@aradex.com
-  +49 / (0)7172 / 9181-0