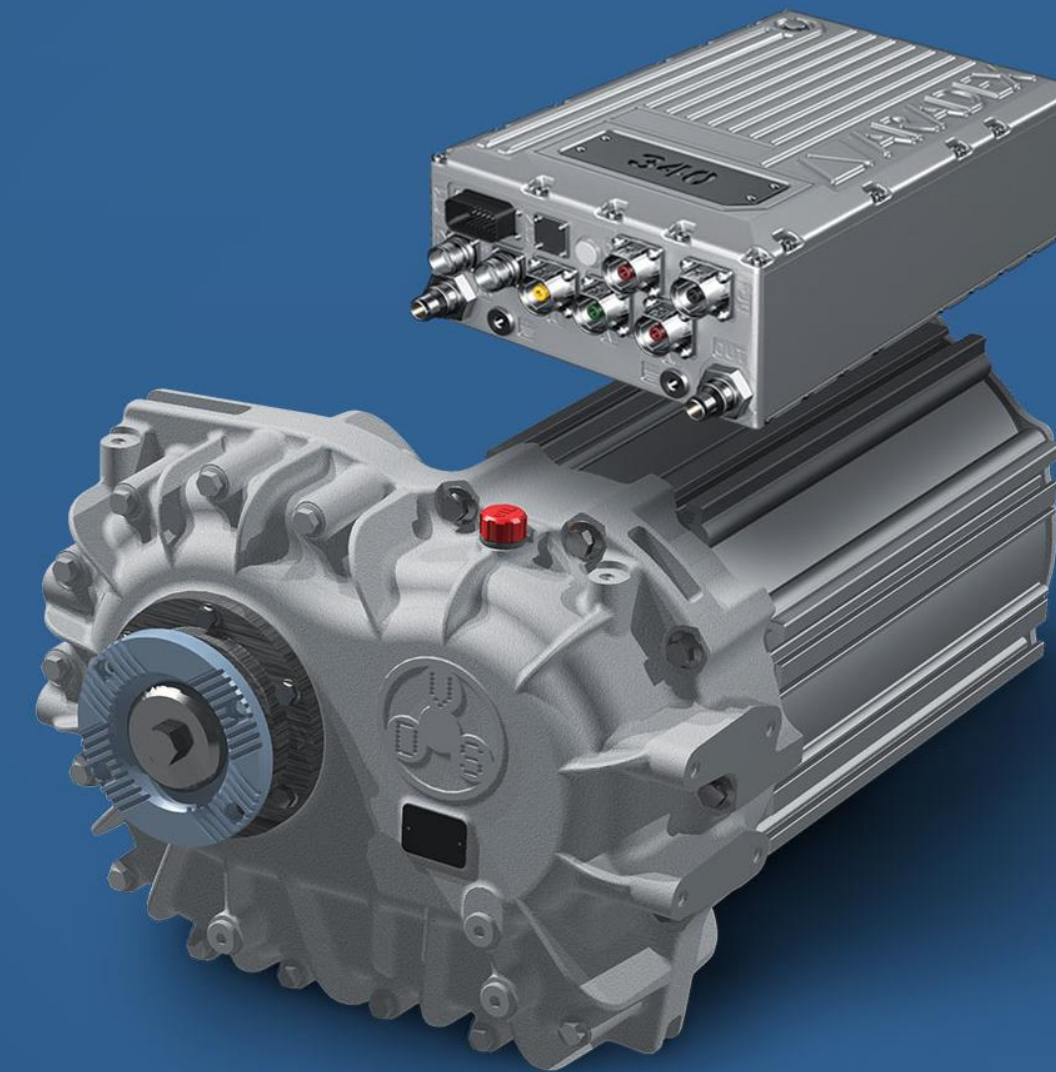


E-Facts

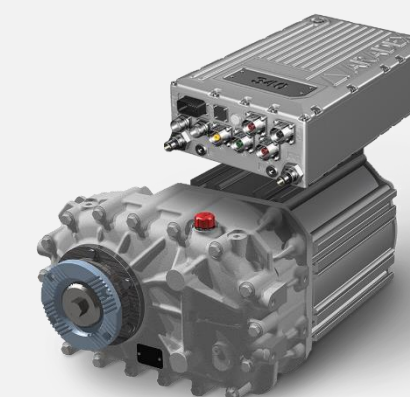
Motor-gearbox-units Electric-axle-units

Electric drives for a green future

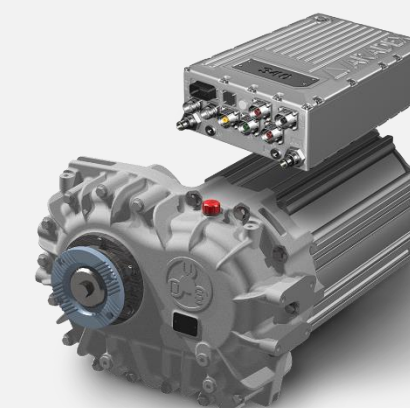


/ Motor-gearbox units

Specification	Gearbox with VM600-18W0073	Gearbox with VM616-18W0120
Gear ratio	2,1:1	3,1:1
Rated output torque	820 Nm	1800 Nm
Peak output torque	1360 Nm	3400 Nm
Max output speed	3090 rpm	1450 rpm
Total weight (without inverter)	151 kg	208 kg
Dimensions (rough values)	630mm * 442mm * 305mm	765mm * 510mm * 383mm
Motor topology	PM-reluctance	PM-reluctance
Fitting VECTOPOWER inverter	VP600-18W340	VP600-18W360
Fitting double-inverter	VP600-28W344	None



Gearbox + VM600-18W0073



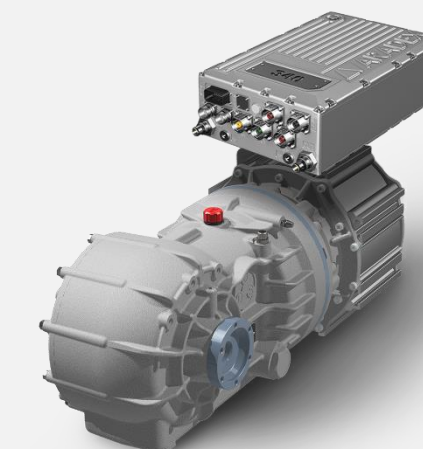
Gearbox + VM616-18W0120

All values can be changed without notice!

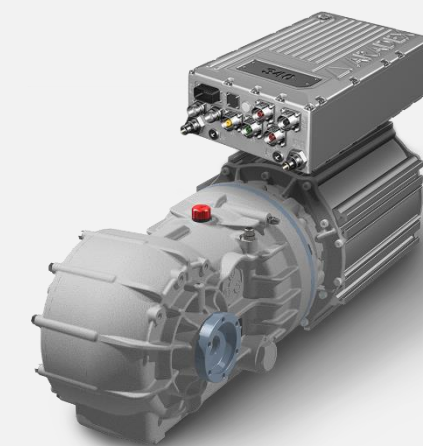
/ Electric-axle-units

E-motor + Gearbox + Differential

Specification	Gearbox with VM616-18W0040	Gearbox with VM616-18W0044
Gear ratio in total	15,0 : 1	15,0 : 1
Rated axle torque	2250 Nm	2250 Nm
Peak axle torque	4800 Nm	4800 Nm
Max wheel speed	480 rpm	387 rpm
Total weight (without inverter)	149	179
Dimensions (rough values)	820mm * 371mm * 305mm	990mm * 371mm * 305mm
Motor topology	PM-reluctance	AC-induction
Fitting VECTOPOWER inverter	VP600-18W340	VP600-18W340
Fitting double-inverter	VP600-28W344	VP600-28W344



Gearbox + VM616-18W0040



Gearbox + VM616-18W0044

All values can be changed without notice!

/ Contact us



📍 Gewerbepark 5, A-4493 Wolfers/Steyr, Austria

✉️ Office@vds-getriebe.at

☎️ +43 / (0)7253 / 88080-0v



📍 Ziegelwaldstr. 3, D-73547 Lorch, Germany

✉️ Sales@aradex.com | Vertrieb@aradex.com

☎️ +49 / (0)7172 / 9181-0