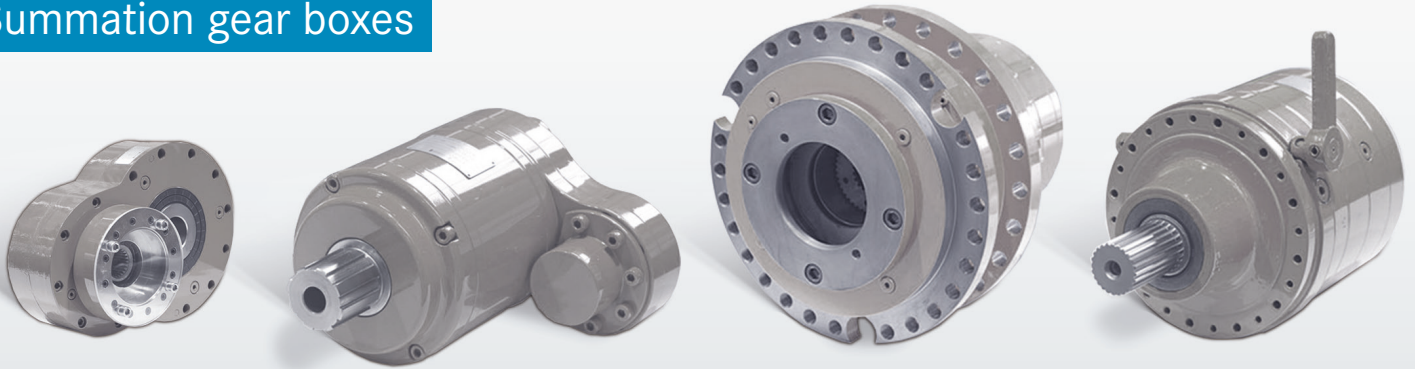


Planetary gear boxes

Helical gear boxes

Standard transmissions

Summation gear boxes



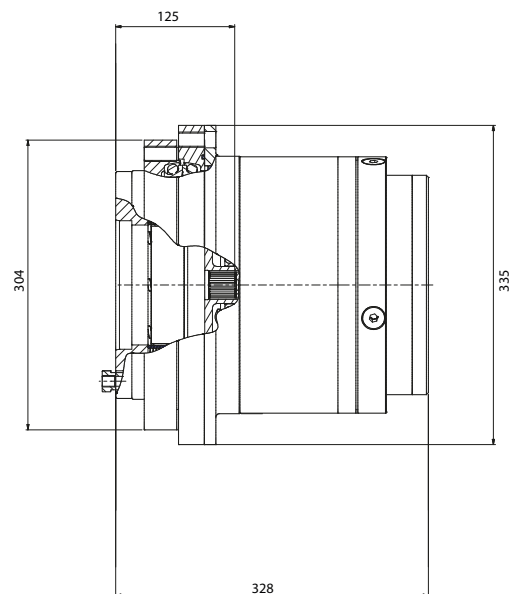
# VG600m Gear boxes for mobility

Modified to your requirements for ideal solutions

- + Up to 500,000 Nm at 1200kW
- + Single-stage and multi-stage gear boxes
- + Planetary gear boxes (also shiftable), helical gear boxes, summation gear boxes, transfer gear boxes
- + Efficiency up to 98%

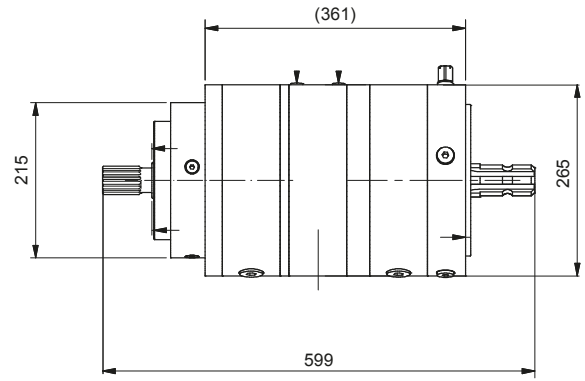
## Extract from the T1200 performance data

Gear ratio	89.9 - 131.6
Holding torque (brake)	160 Nm
Max. torque	13.000 Nm at output
Weight	105 kg
Protection class	IP67



Technical changes benefit our customers too. Subject to change.

## Extract from the SL450 performance data



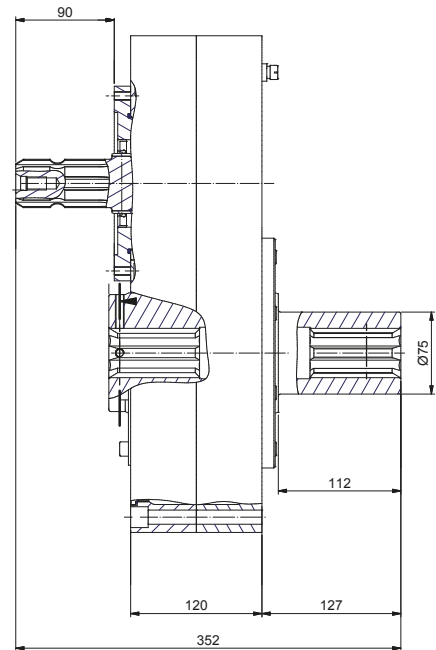
Gear ratio	i1 (low speed -high torque) i2 (high speed - low torque)	3.63 - 4.0 - 4.48 - 5.14 - 6.8 3.12 - 3.63 - 5.14
Max. torque	5000 Nm (i1)   2000 Nm (i2)	
Weight	150 kg	
Info	no reversal of rotation direction	
Protection class	IP67	

Technical changes benefit our customers too. Subject to change.

## Extract from the V250 performance data

Gear ratio	1
Rated torque	1200-1300 Nm at output
Max. torque	3000 Nm at output
Efficiency	0.97 r.m.s.
Weight	150 kg
Protection class	IP67

Technical changes benefit our customers too. Subject to change.



## Interested? Give us a call:

ARADEx AG  
Ziegelwaldstr. 3  
D-73547 Lorch  
Tel.: +49 (0) 71 72 - 91 81 0



sales@aradex.com  
www.aradex.com

